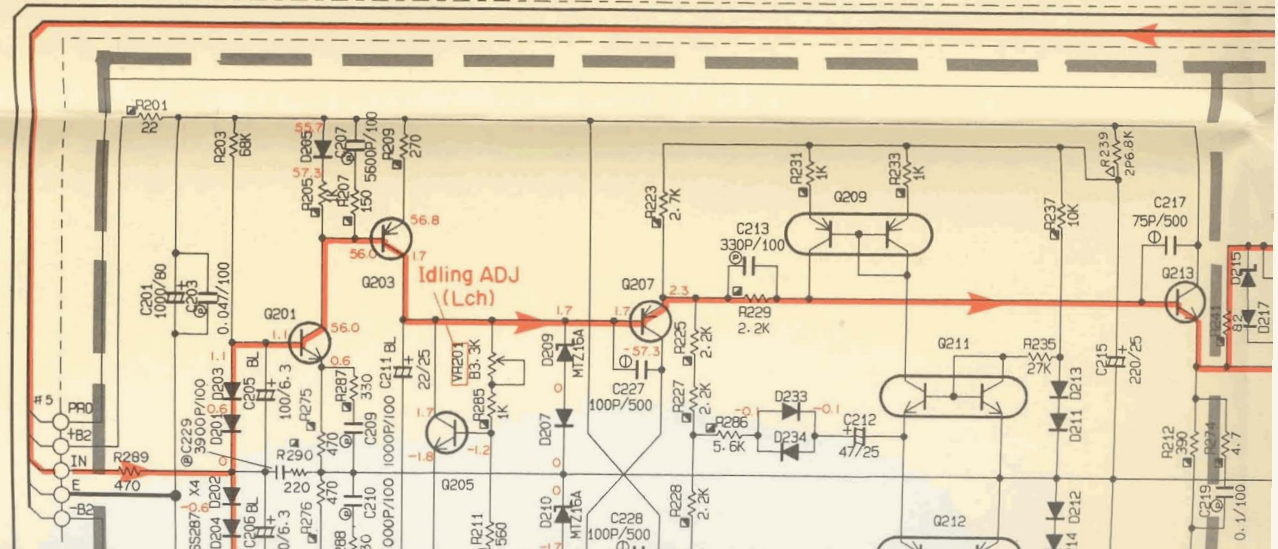
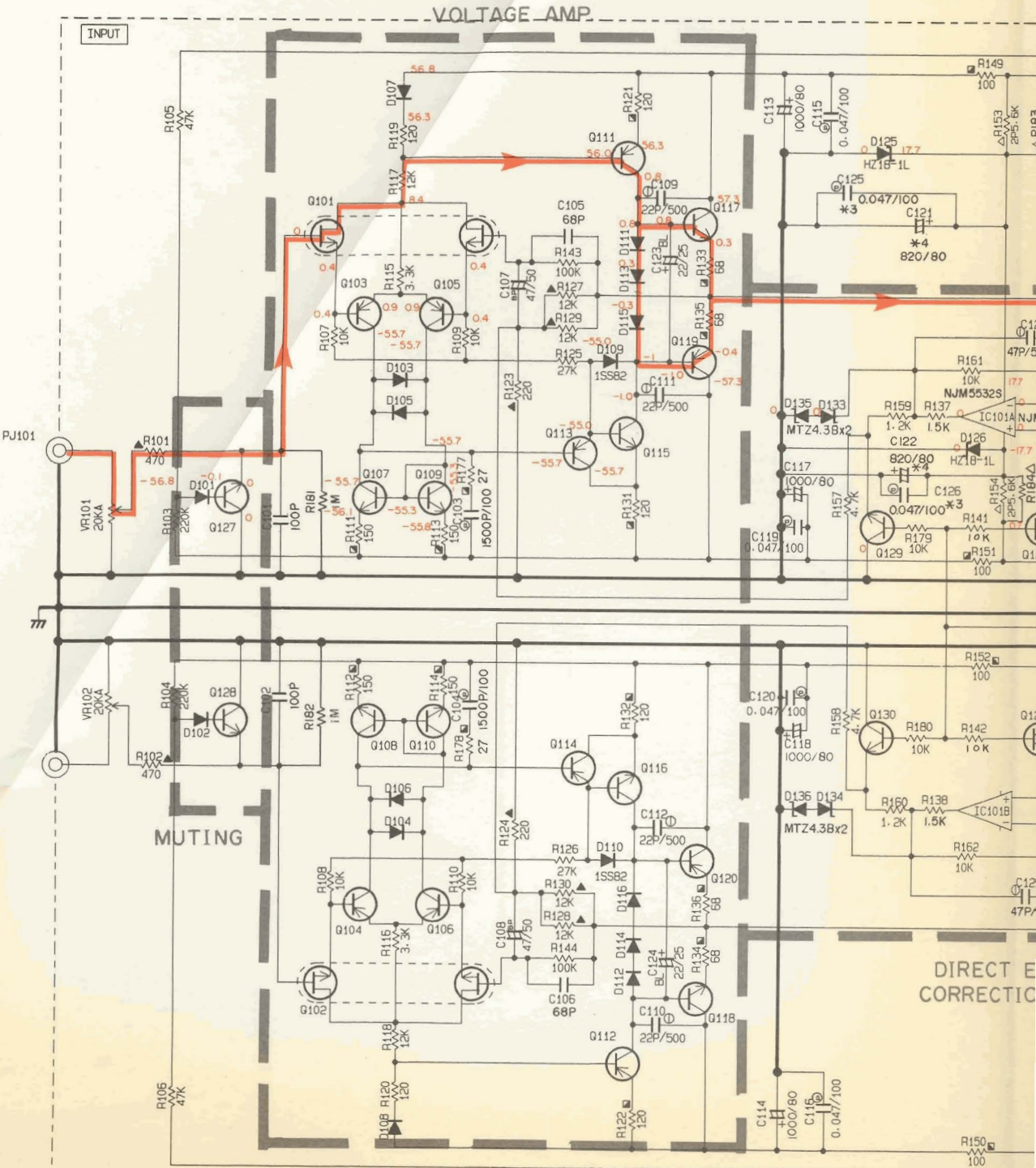
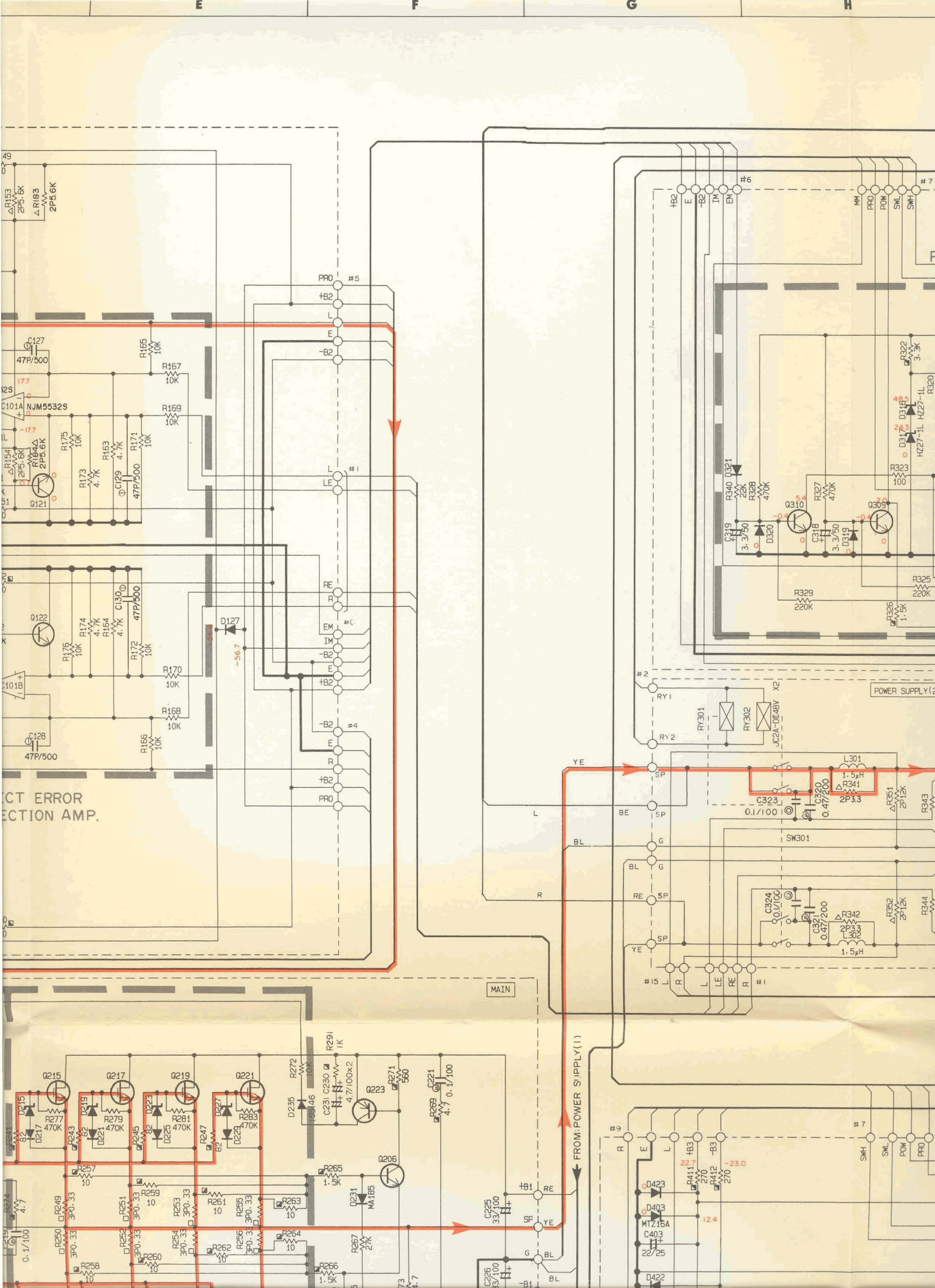
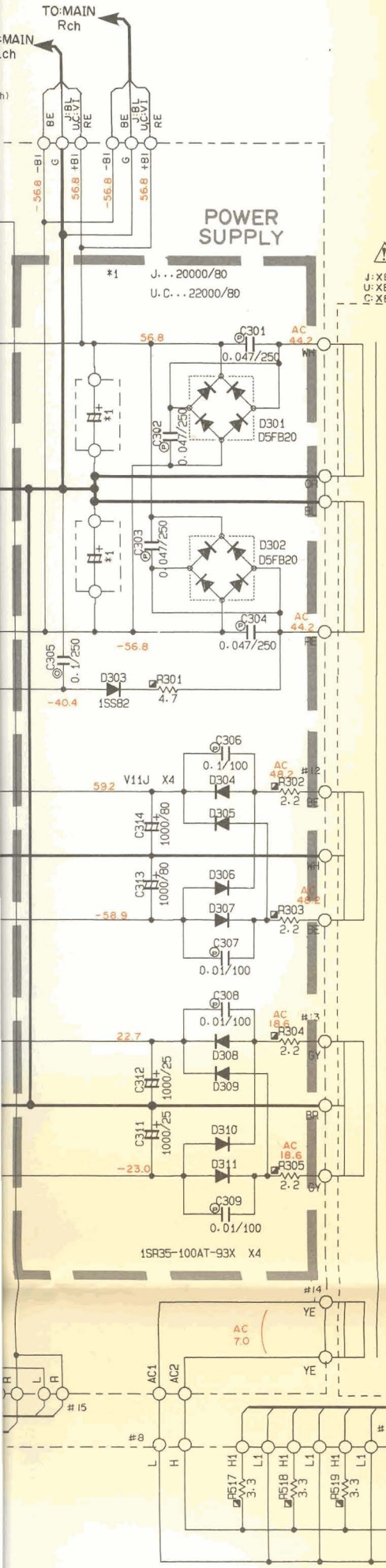


SCHEMATIC DIAGRAM

1
2
3
4
5
6







CAPACITOR

| REMARKS | PARTS NAME | |
|---------|----------------------------------|---|
| NO MARK | ELECTROLYTIC CAPACITOR | ⌘ |
| NO MARK | CERAMIC CAPACITOR | |
| ⊙ | POLYESTER FILM CAPACITOR | |
| ○ | POLYSTYRENE FILM CAPACITOR | ⌘ |
| ⊖ | MICA CAPACITOR | |
| ⊕ | POLYPROPYLENE FILM CAPACITOR | |
| ⊗ | SEMICONDUCTIVE CERAMIC CAPACITOR | |

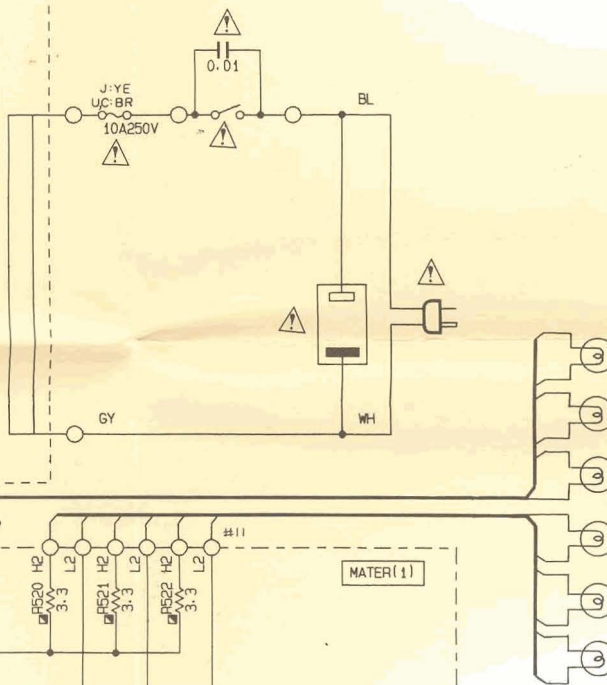
RESISTOR

| REMARKS | PARTS NAME |
|---------|---------------------------------|
| NO MARK | CARBON FILM RESISTOR (1/6W) |
| ⊠ | CARBON FILM RESISTOR |
| △ | METAL OXIDE FILM RESISTOR |
| ▲ | METAL FILM RESISTOR |
| ⊠ | METAL PLATE RESISTOR |
| ⊠ | FIRE PROOF CARBON FILM RESISTOR |
| □ | SEMENT MOLDED RESISTOR |
| ⊗ | SEMI VARIABLE RESISTOR |
| ■ | CHIP RESISTOR |

NOTICE

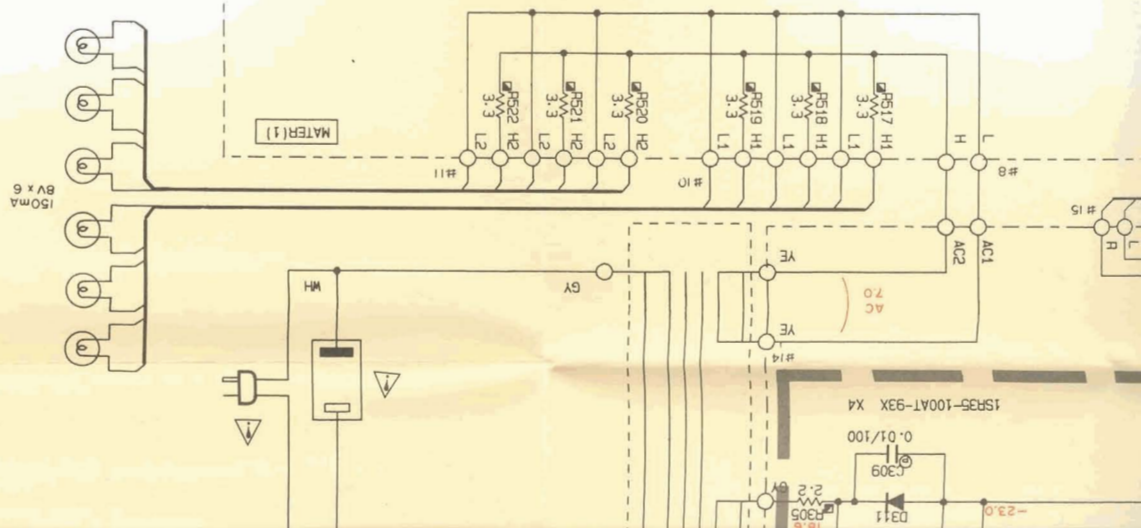
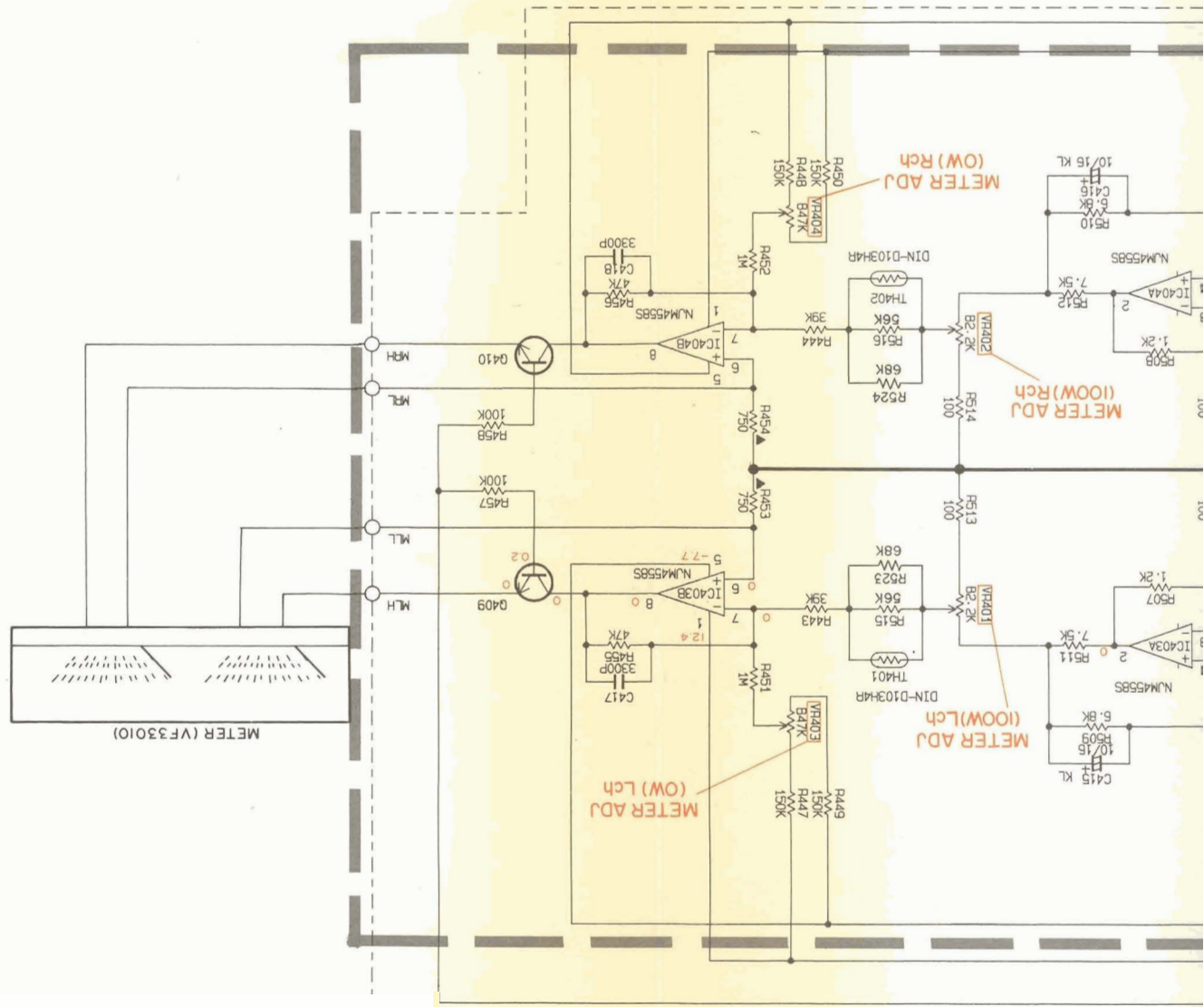
(U)..... U.S.A model
 (C)..... Canadian model

| | |
|--|------------------|
| Q103-106, 113, 114, 202 Q302, 305, 307, 311 | 2SA970(GR. BL) |
| Q107-110, 306, 308-310 | 2SC1815(Y) |
| Q121, 122, 127-130 Q405, 406, 409, 410 | 2SC2878(A, B) |
| Q111, 112, 119, 120, 203, 207 Q223 | 2SA1145(O, Y) |
| Q115-118, 303-304, 204, 206 Q208 | 2SC2705(O, Y) |
| Q101, 102 | 2SK389 |
| Q301, 312, 201, 205 | 2SC2240(GR. BL) |
| Q209, 212 | 2SA1349(GR. BL) |
| Q210, 211 | 2SC3381(GR. BL) |
| Q214 | 2SA1306(O, Y) |
| Q213 | 2SC3298(O, Y) |
| Q215, 217, 219, 221 | 2SK405 |
| Q216, 218, 220, 222 | 2SJ115 |
| D101-108, 111-116, 129-136 D313, 314, 319-321, 322, 323 | 1S1555 or 1S2473 |

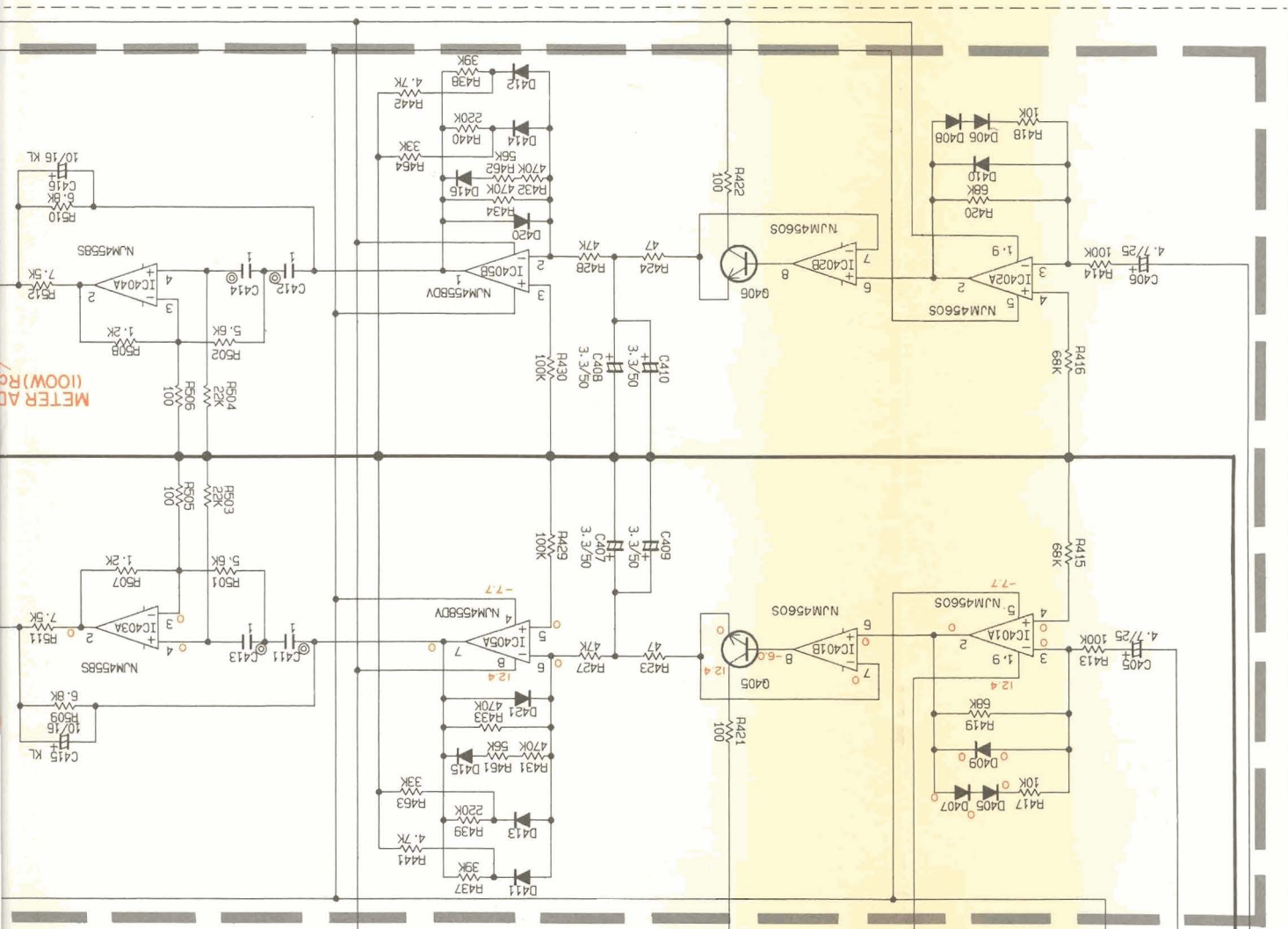


| | |
|---|---------|
| 0 | U.C. |
| 0 | 2200/80 |
| 0 | 0.022 |
| 0 | 1000/25 |

1S5133 or M4165 ... D405-416-420-423

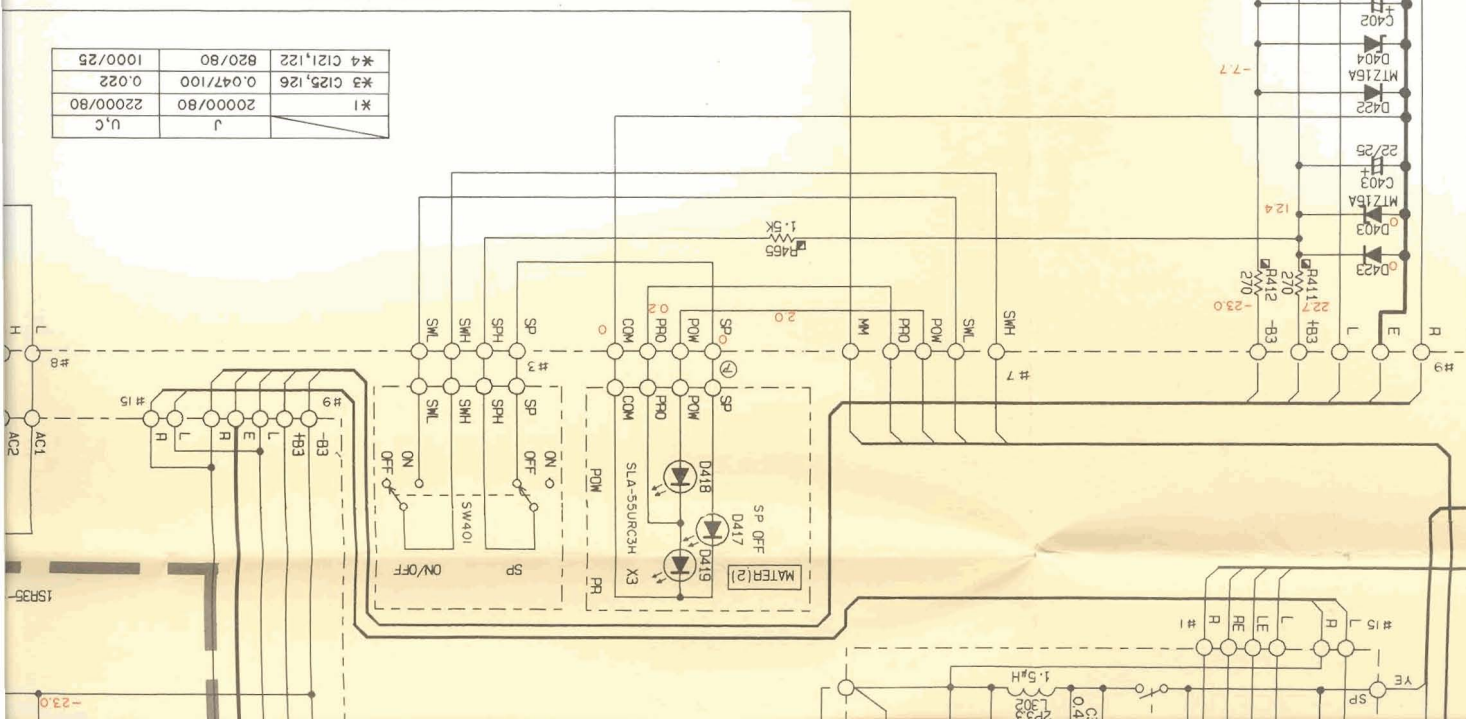


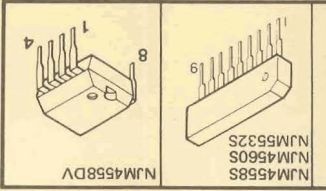
* All voltages are measured with a 10MΩ/DC electric volt meter.
 * Components having special characteristics are marked with a triangle and must be replaced with parts having specifications equal to those originally installed.
 * Schematic diagram is subject to change without notice.



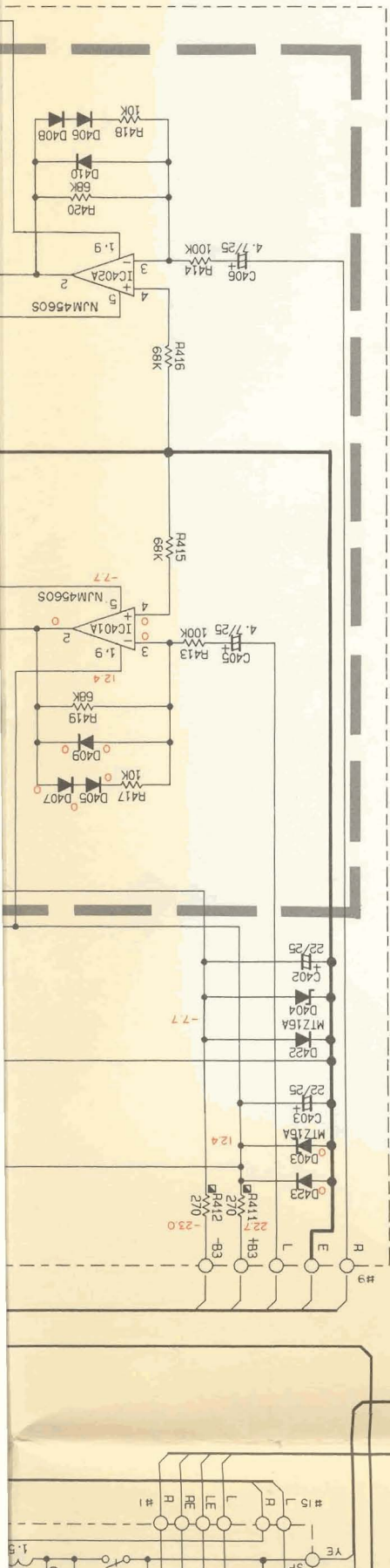
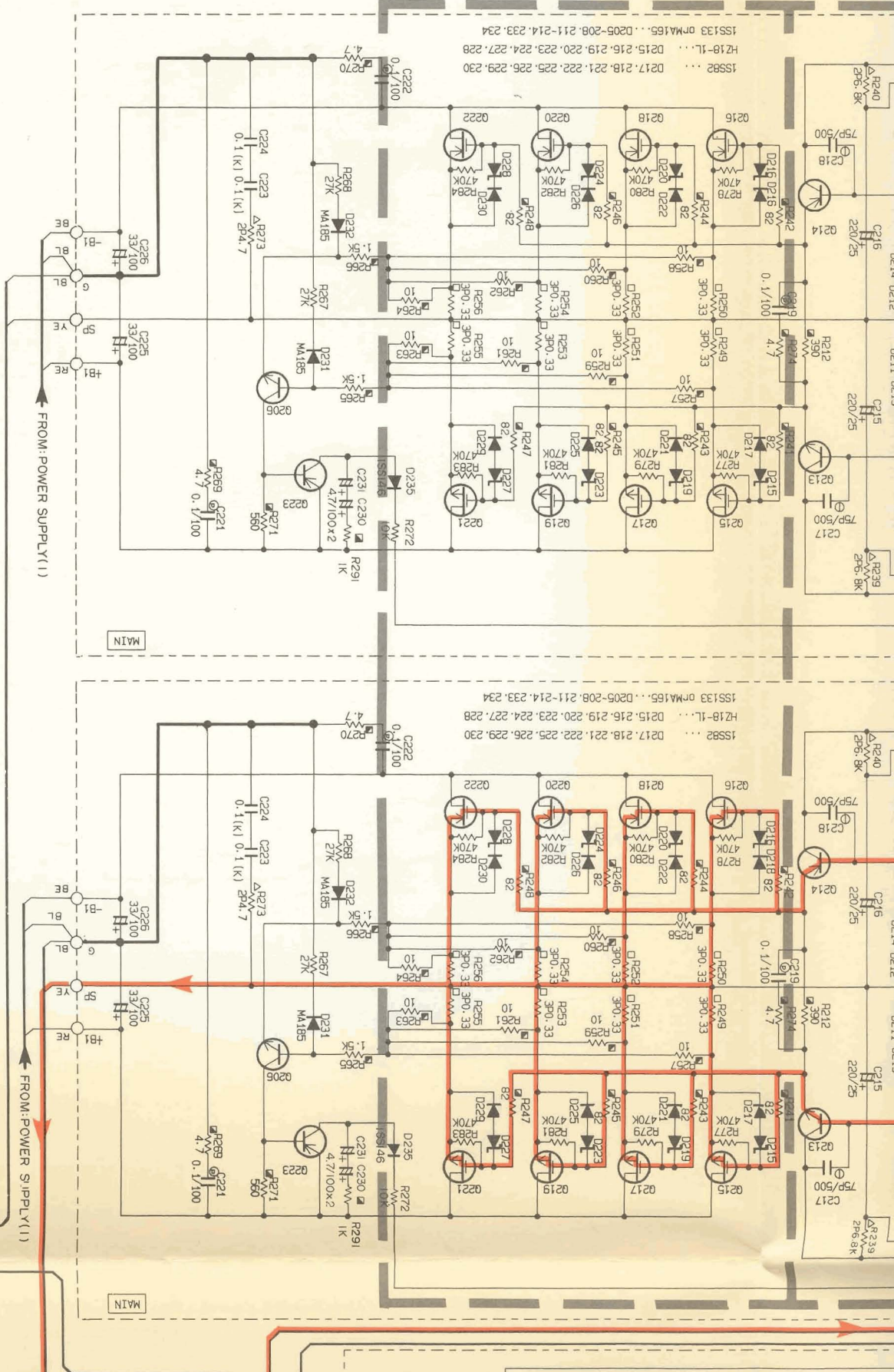
METER DRIVE

| | | | | |
|----|-----------|-----------|----------|-----|
| *1 | J | 20000/80 | 22000/80 | U.C |
| *3 | C125, 126 | 0.047/100 | 0.022 | |
| *4 | C121, 122 | 820/80 | 1000/25 | |



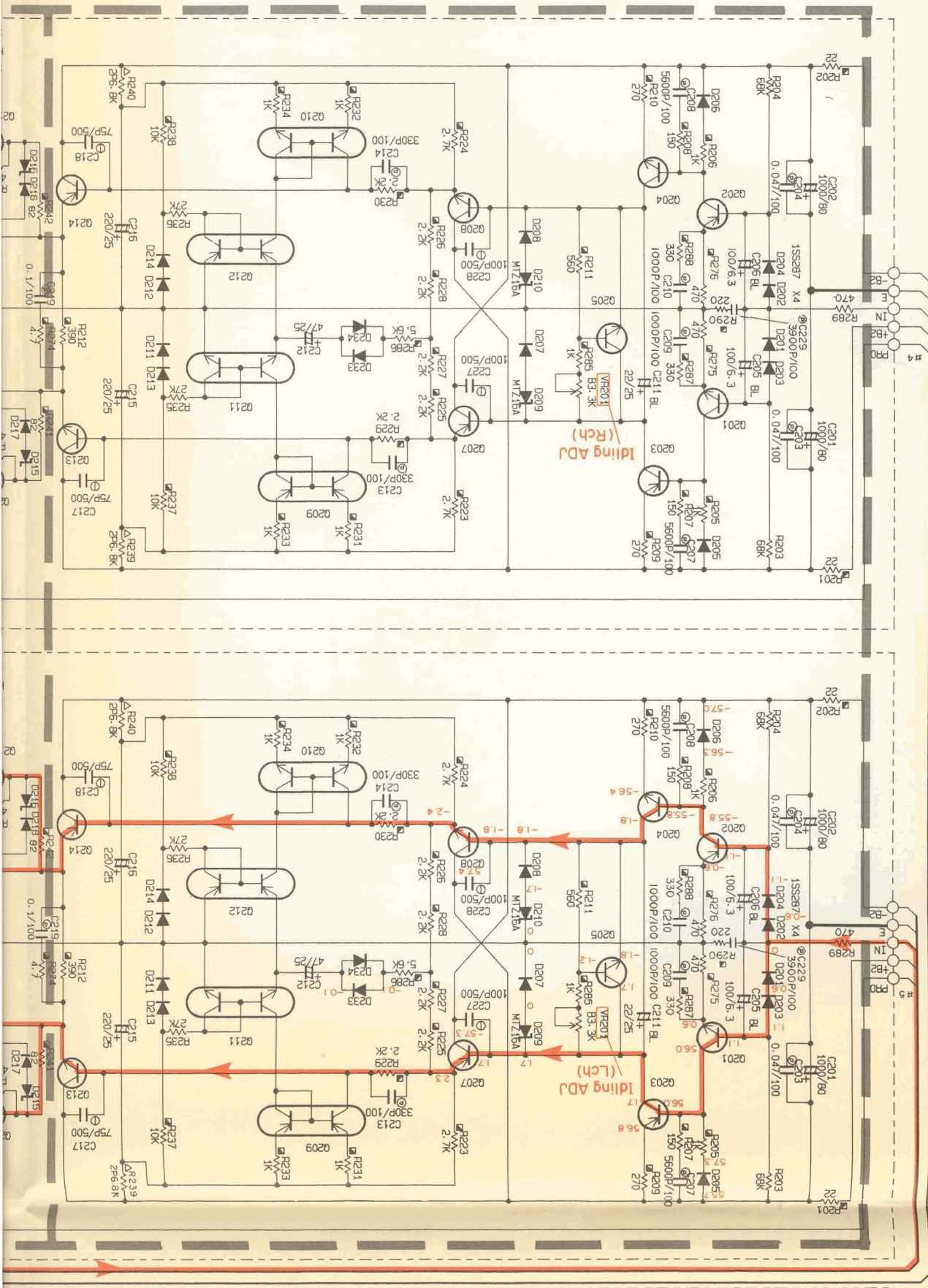


MOS FET
POWER STAGE



PIN CONNECTION DIAGRAM OF TRANSISTORS, DIODES AND ICs.

| | | | | | | | |
|--|--|--|--|--|---------------------------|--|---|
| | | | IS133 MA165 MA185 HZ7C-1L V11J ISR35-100AT-93X 5FB20 | | 2SK405 2J115 2SK389 | | 2SA1349 (GR, BL) 2SC3381 (GR, BL) 2SA1145 (O, Y) 2SC2705 (O, Y) 2SC2878 (A, B) 2SC1815 (Y) |
|--|--|--|--|--|---------------------------|--|---|



H.C.A